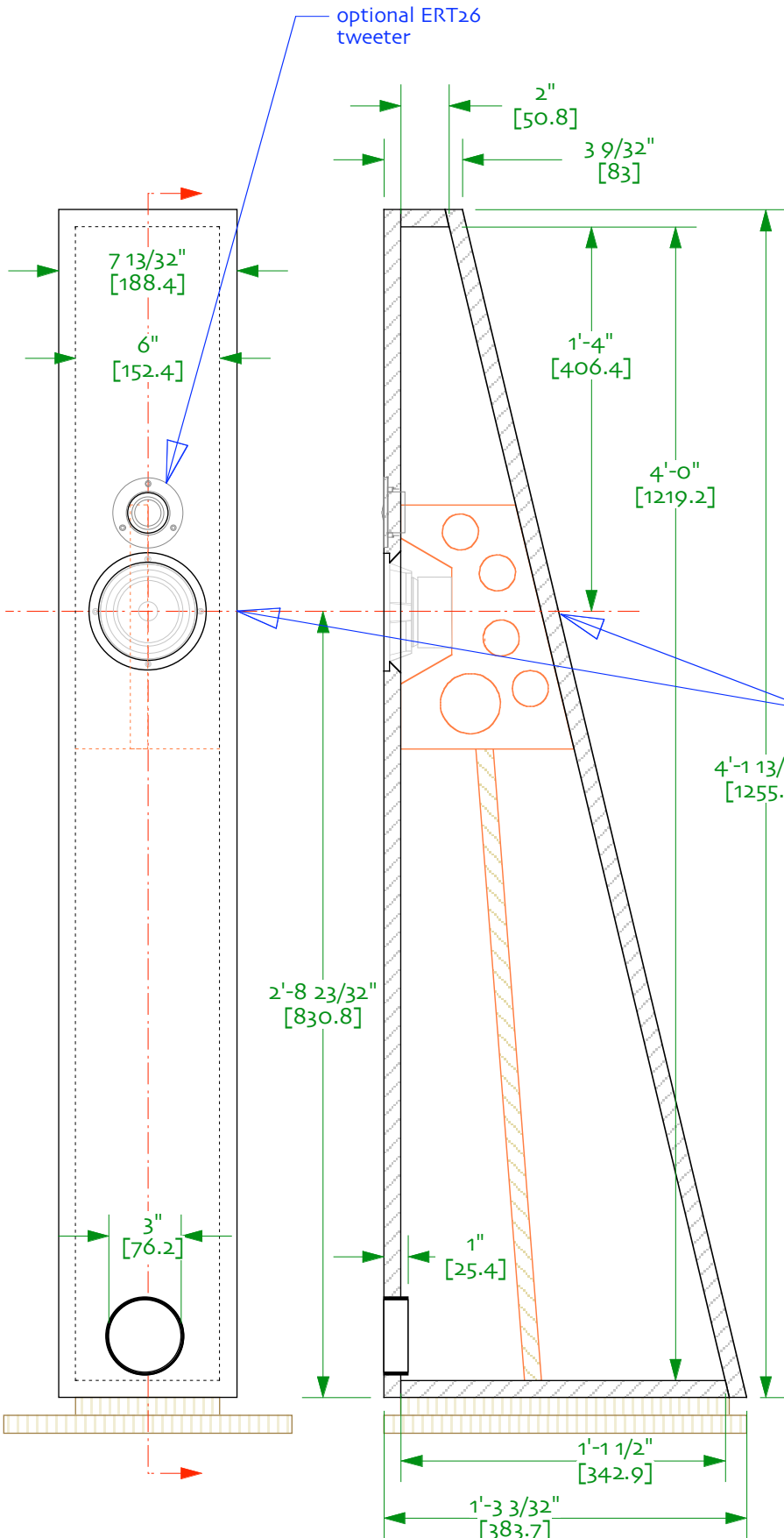


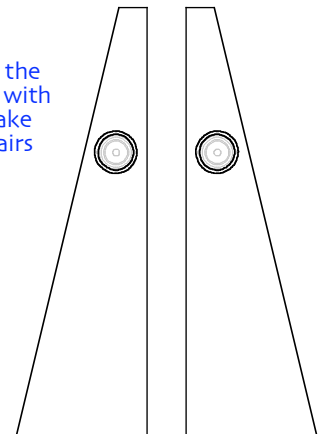


ML-Voigt for EL70 ov85
designed by D Dlugos | planet10-hifi
& S Lindgren | Woden Design
03-march-11 | drawn by did
free for non-commercial use only



- Notes:
- 1/ drawing made with 18 mm material. Baltic Birch or other high quality multi-ply recommended
 - 2/ line internal panel behind driver to reduce reflections. Use other damping in the box to taste – additional damping best placed above driver.
 - 3/ Driver brace should be snug with the speaker's magnet, but not so much as to stress the basket
 - 4/ a round-over or chamfer on the vertical edges is recommended
 - 5/ holes & details of the holey brace are suggestive only
 - 6/ plinth recommended for stability

driver could be placed on any of the sides. If on faces with angled edges, make mirror imaged pairs



Alternate Line Restriction

