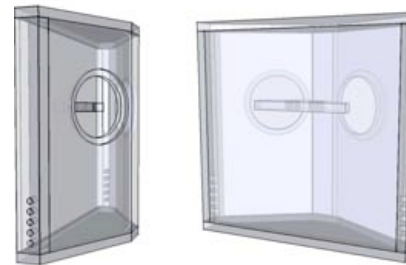
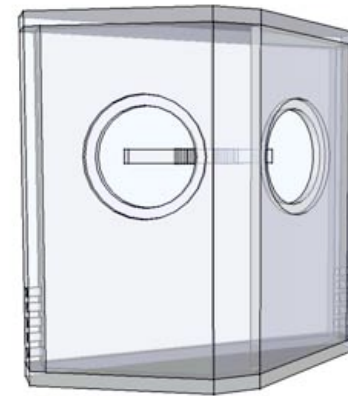
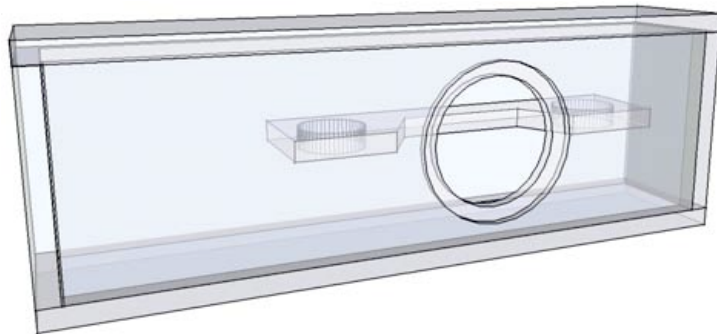
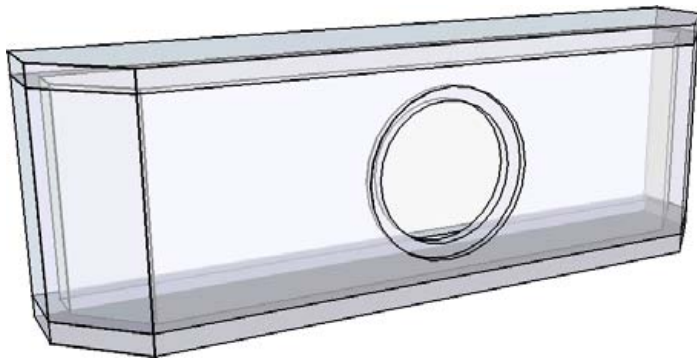
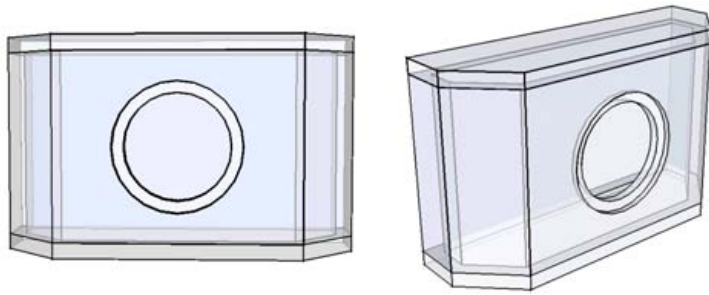


---

## CHR-70 Home Theatre Wall & inWall speakers

---

The Mark Audio CHR-70 is very happy in 5-10 litre sealed boxes. This document is a series of examples of enclosures intended for wall-mounting to be used by themselves or mix & matched with other CHR or Mark Audio designs, originally conceived to be used as an adjunct to microTower Mains





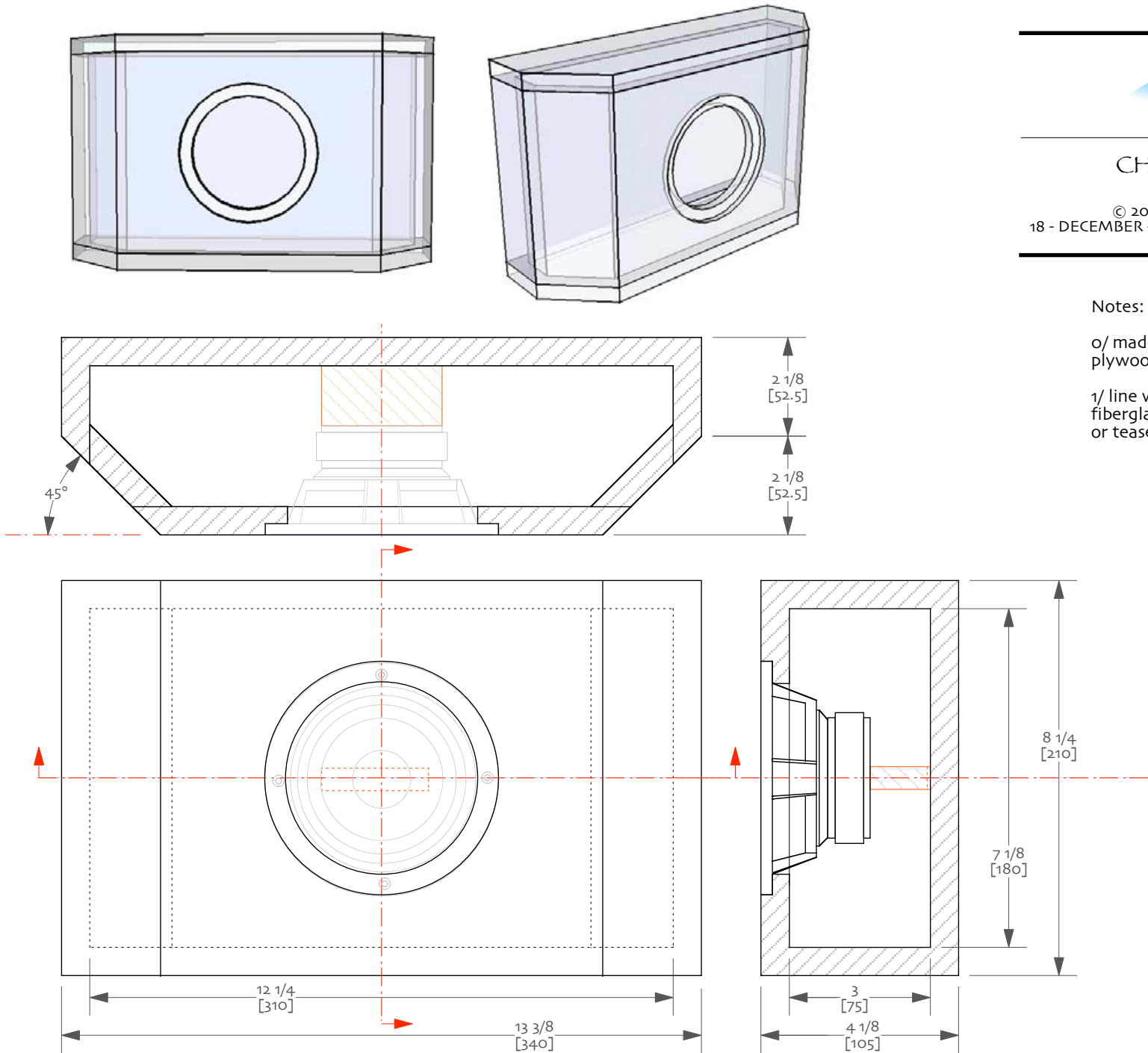
### CHR-70 wallMount Ov99

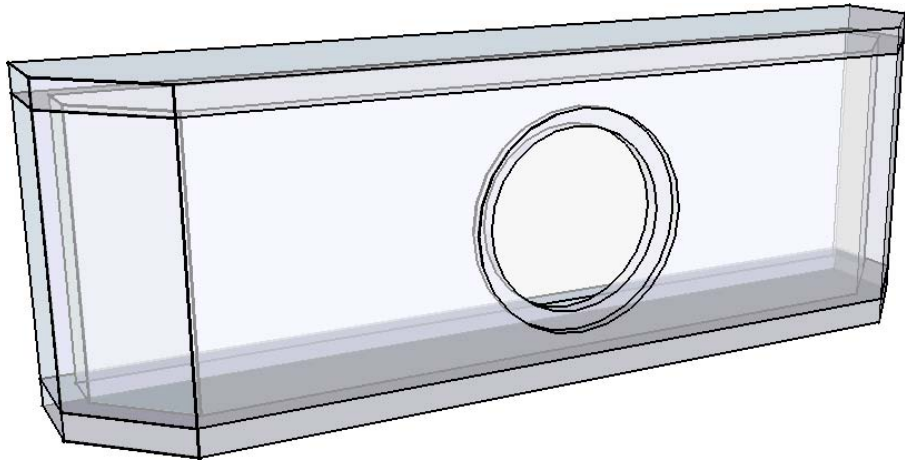
© 2009 planet\_10 enterprises limited  
18 - DECEMBER -2009 | designed & drawn by dld  
for non-commercial use only

#### Notes:

o/ made with 15 mm baltic birch plywood

1/ line with wool felt, cotton felt, or fiberglass or lightly fill with polyfluff or teased wool





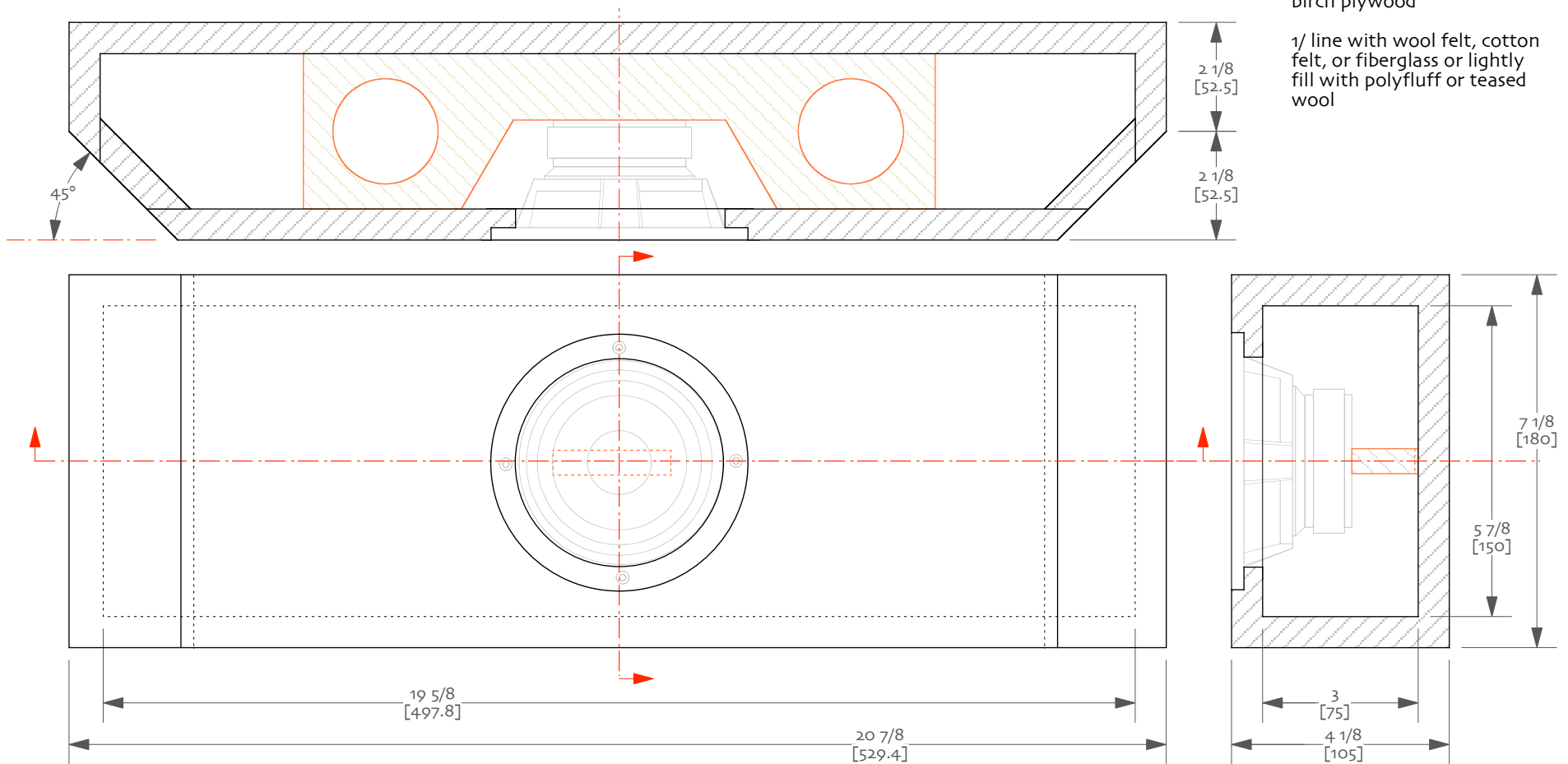
CHR-70 wallMount centre Ov9

© 2009 planet\_10 enterprises limited  
 18 - december -2009 | designed & drawn by dld  
 for non-commercial use only

Notes:

0/ made with 15 mm baltic birch plywood

1/ line with wool felt, cotton felt, or fiberglass or lightly fill with polyfluff or teased wool

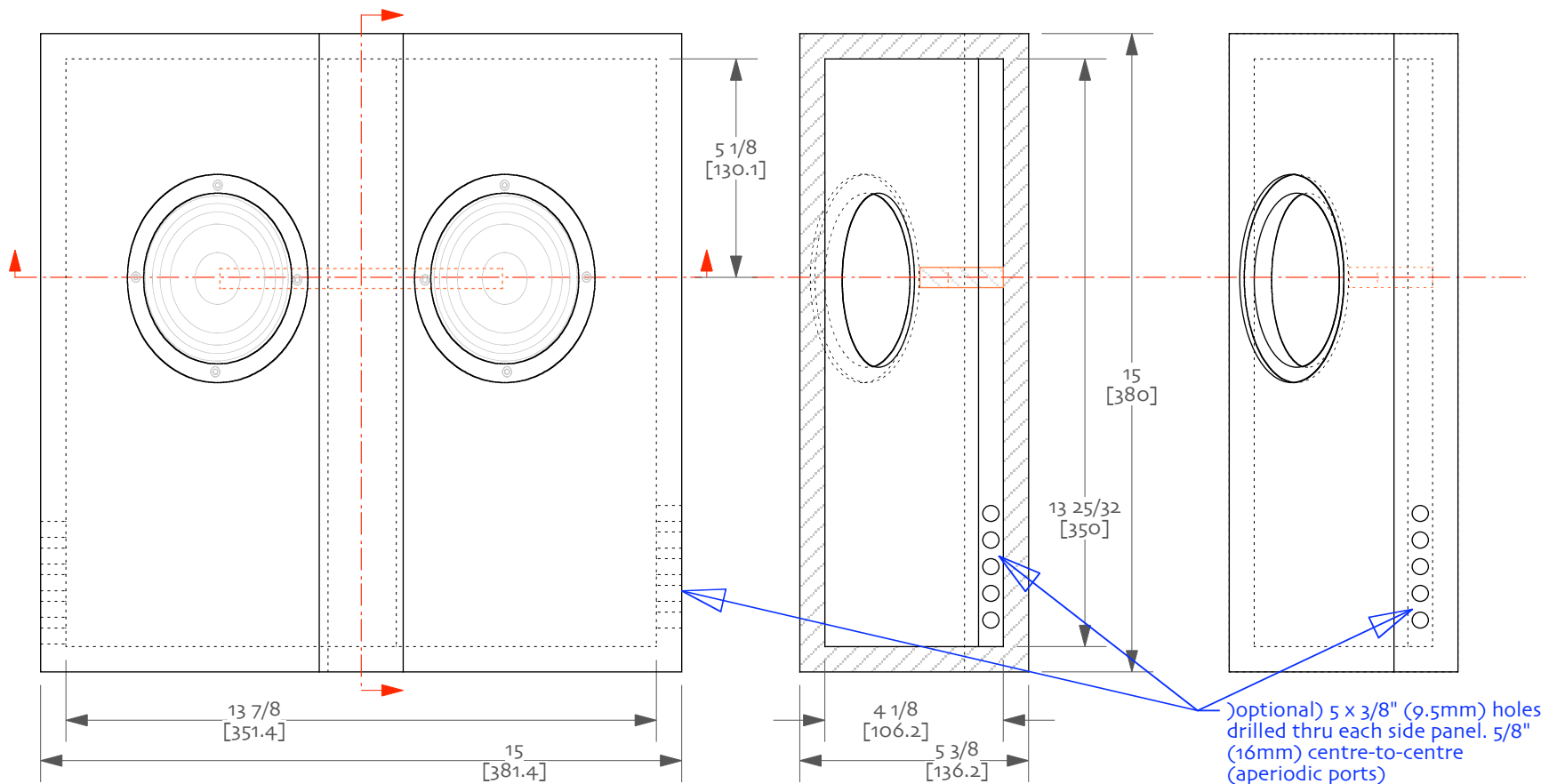
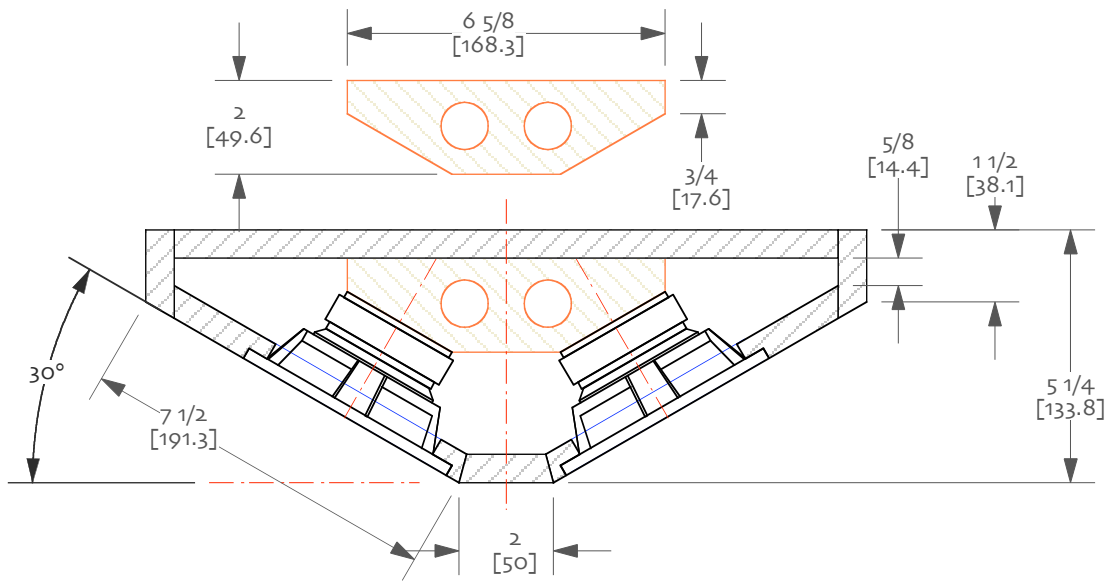


# CHR-70 splayedSurround Ov9

sheet 0 - box plan  
 © 2009 planet\_10 enterprises limited  
 03 - dec -2009 | designed & drawn by did  
 for non-commercial use only

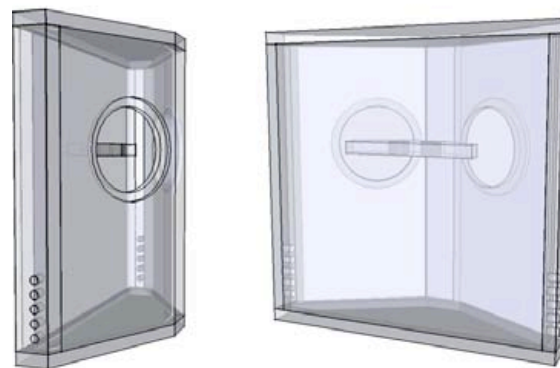
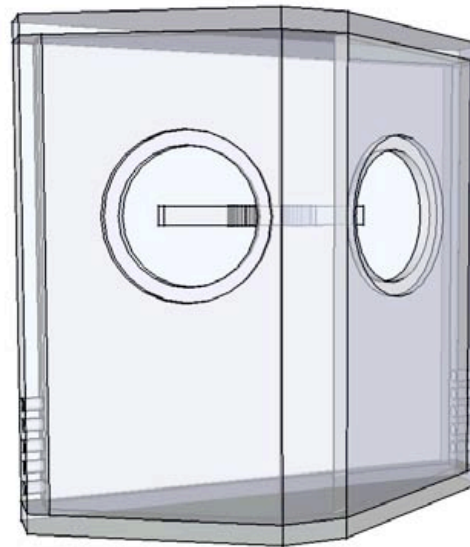
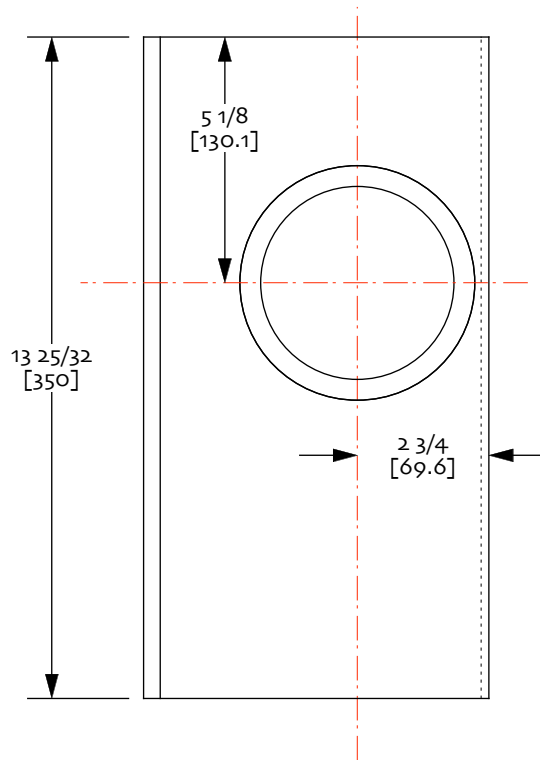
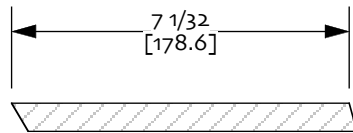
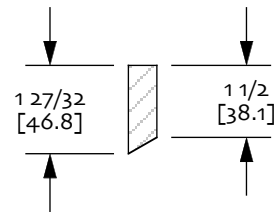
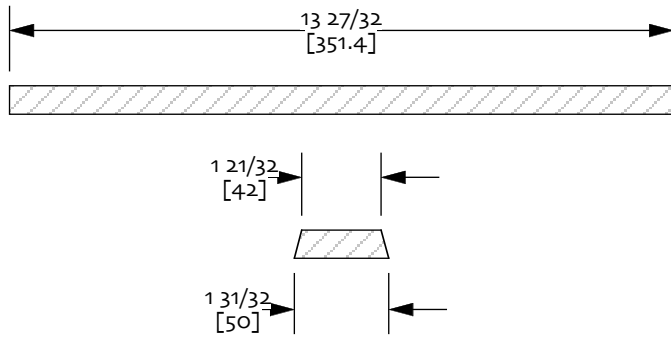
### Notes:

- o/ made with 15 mm baltic birch plywood
- 1/ line with wool felt, cotton felt, or fiberglass or lightly fill with polyfluff or teased wool
- 2/ if aperiodic option pursued - wedged against side panel to cover aperiodic vents is nominal 1 1/4" open cel foam



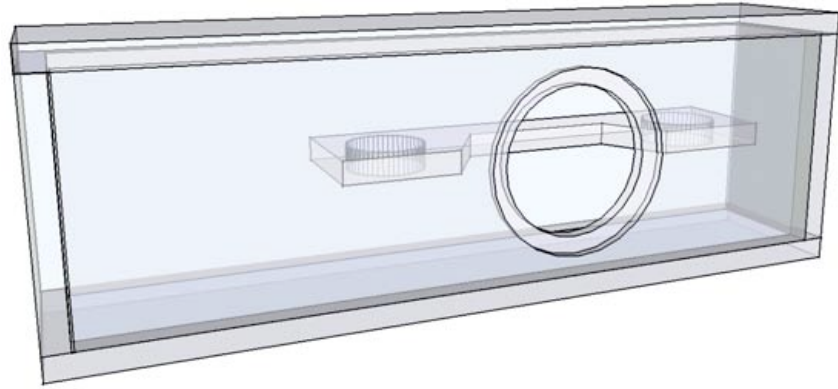
# CHR-70 splayedSurround Ov9

© 2009 planet\_10 enterprises limited  
 03 - dec -2009 | designed & drawn by did  
 for non-commercial use only



### Notes:

- 0/ made with 15 mm baltic birch plywood
- 1/ line with wool felt, cotton felt, or fiberglass or lightly fill with polyfluff or teased wool
- 2/ wedged against side panel to cover aperiodic vents is nominal 1 1/4" open cel foam



Notes:

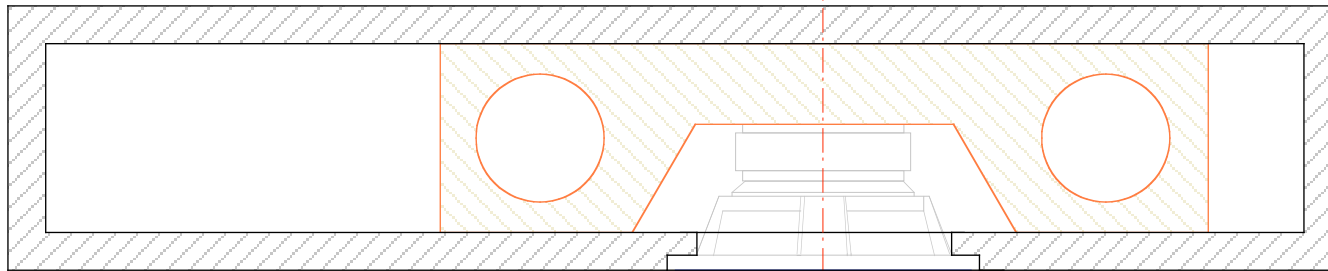
0/ made with 15 mm baltic birch plywood

1/ line with wool felt, cotton felt, or fiberglass or lightly fill with polyfluff or teased wool



CHR-70 inside wall/ceiling Ov9

© 2009 planet\_10 enterprises limited  
18 - december -2009 | designed & drawn by dld  
for non-commercial use only



mounting blocks, exact detail to be determined by placement in studwall

