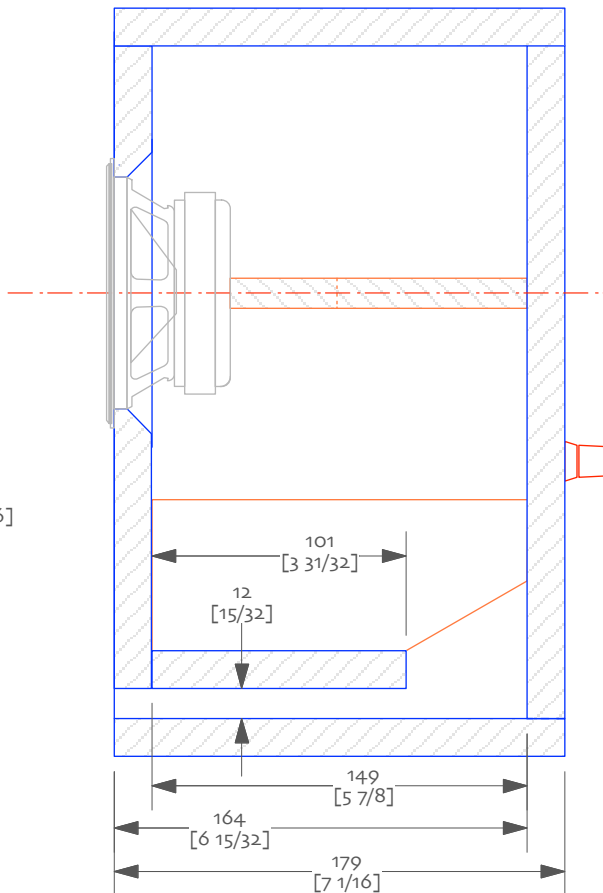
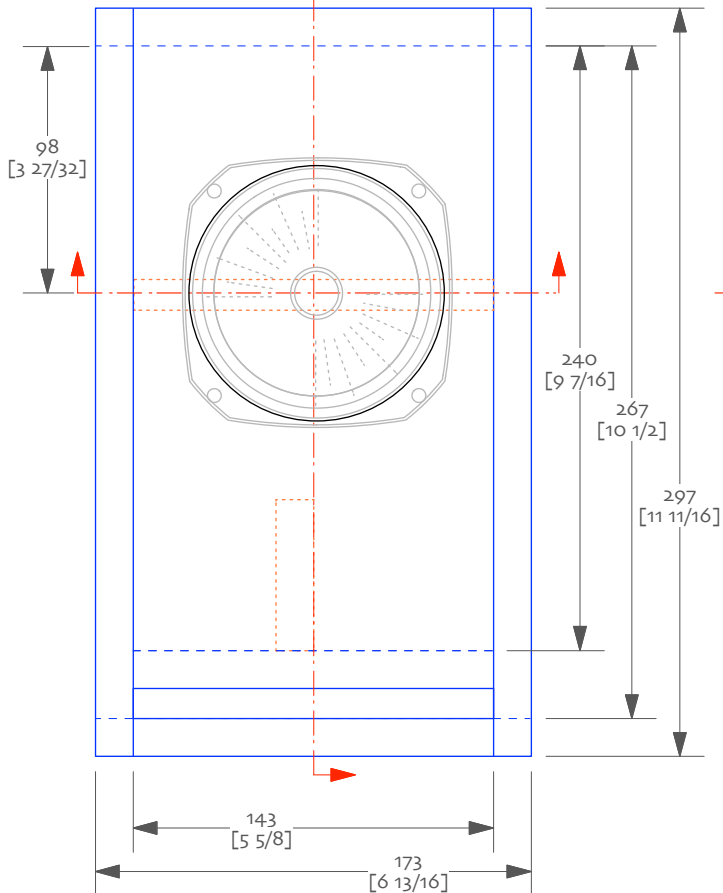


The fit of the brace should be determined in the field... the brace should be tight against the magnet of the driver, but not so much that it stresses the basket... small paper shims can be used if necessary.



Fostex FE103 SOL | mFonkenSOL ov8
 09-jun-2015 | designed & drawn by D Dlugos
 © 2012-15 planet_10 enterprises limited
 free for non-commercial use

Notes:

- o/ made with 15 mm (19/32") baltic birch plywood or other high quality plywood
- 1/ line with 12mm (1/2") wool/cotton felt. Thicker fiberglass or polybatting can be used.