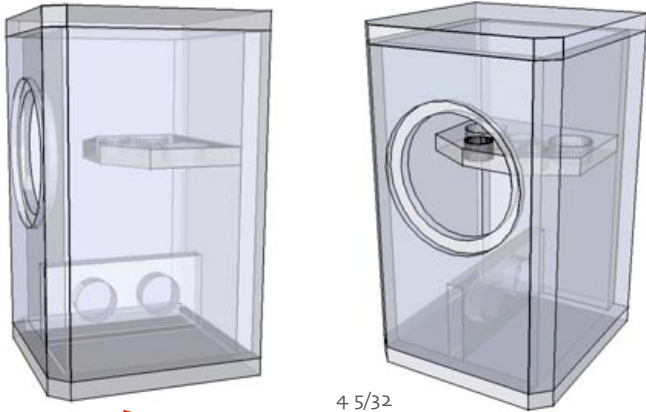


CHR-70 | mMarS IvO

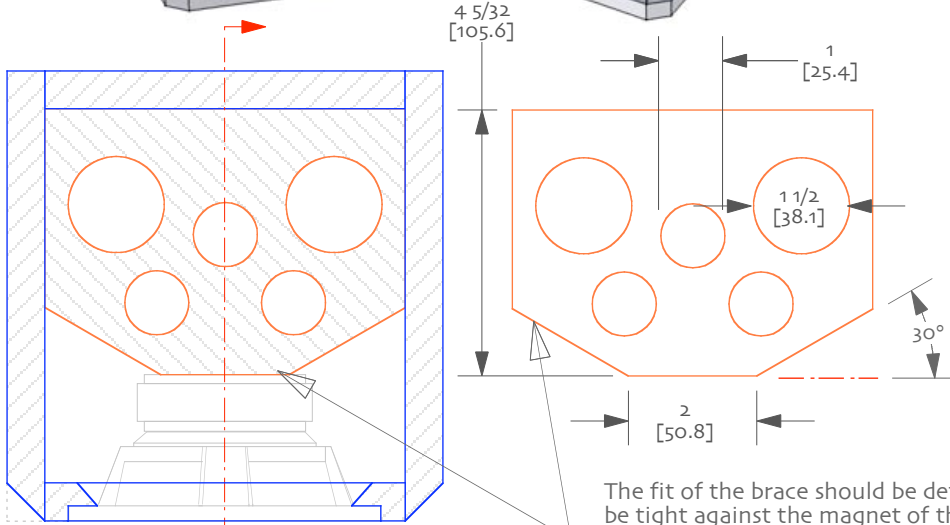
© 2009 planet\_10 enterprises limited  
23 - oct -2009 | designed & drawn by D Dlugos  
for non-commercial use only



Notes:

0/ made with 15 mm  
(5/8") baltic birch plywood

1/ line with wool felt, cotton  
felt, or fiberglass or lightly fill  
with polyfluff or teased wool



The fit of the brace should be determined in the field... the brace should be tight against the magnet of the driver, but not so much that it stresses the basket... small paper shims can be used if necessary.

