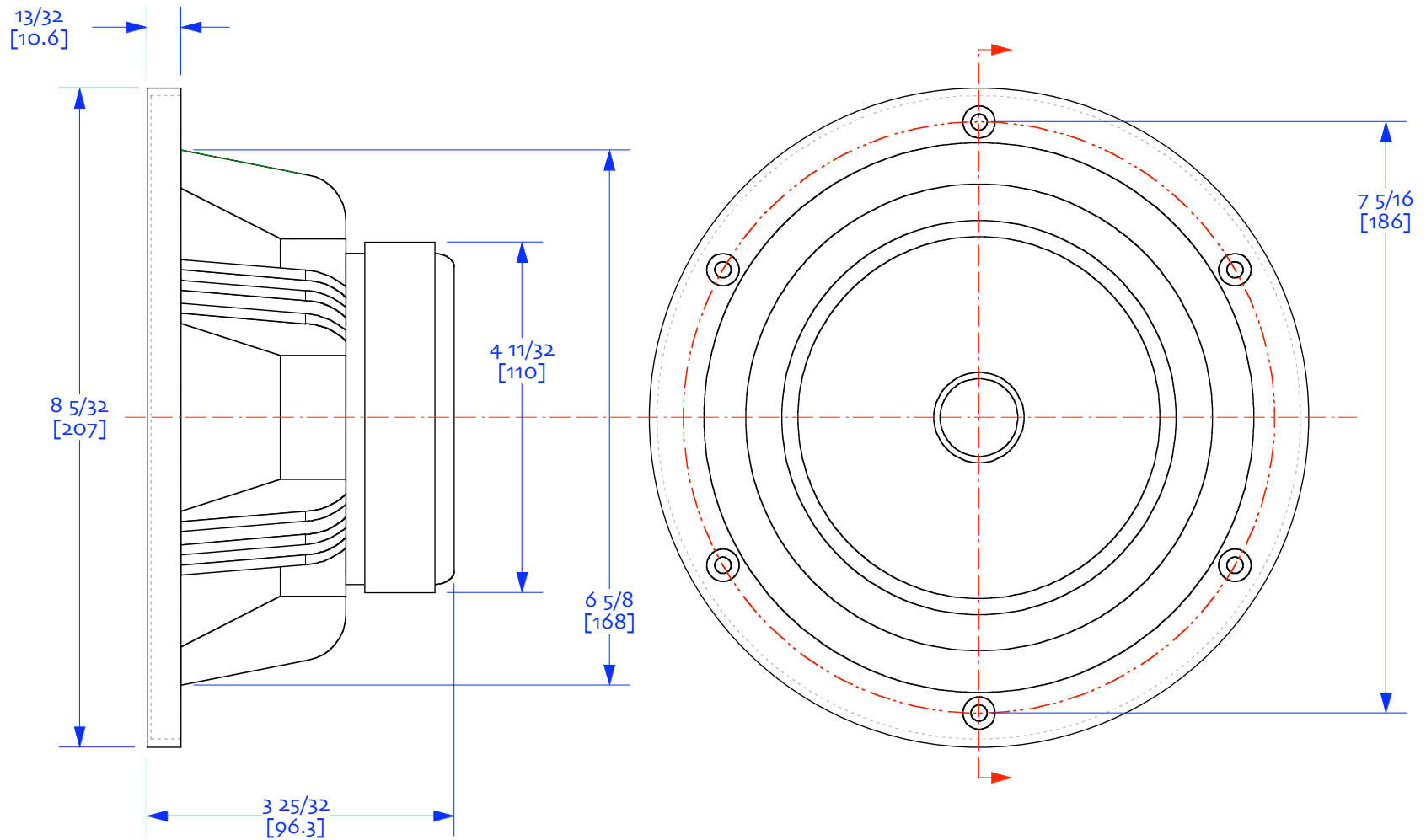


Gasket is 2 mm thick uncompressed, 1,5+mm compressed



Alpair 12
without bezel cover
driver dimensions
drawn by dld | 23-june-2011



Gasket is 2 mm thick uncompressed, 1.5+mm compressed



Alpair 12
with bezel cover
driver dimensions
drawn by dld | 23-june-2011