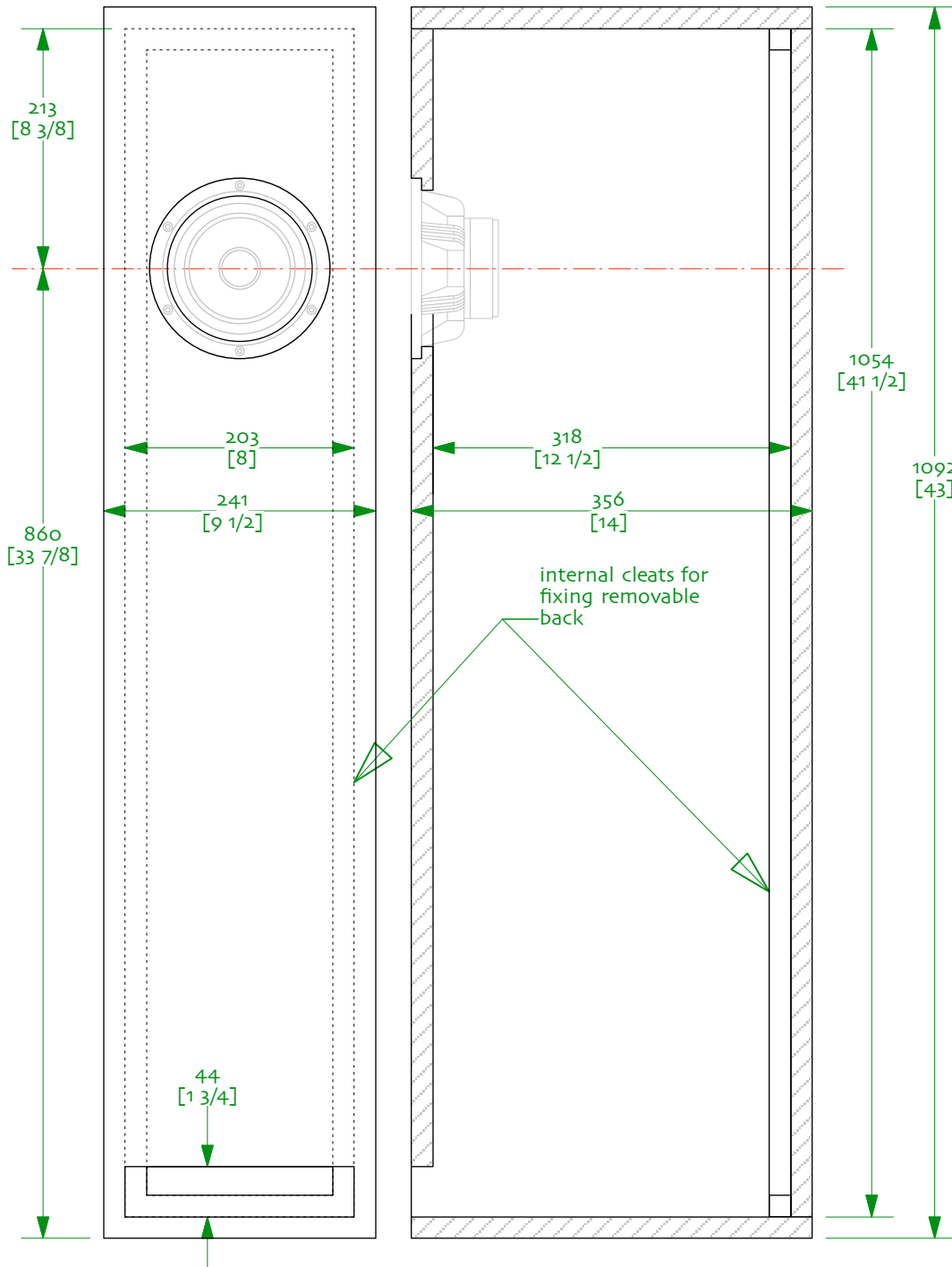




Pensil 10.3 | Alpair 10.3

designed by S Lindgren drawn by dld
 14-june-2013 / update 30-january-2014
 ©2010-2014 Markaudio All rights reserved
 NOT for commercial use without prior
 written approval from Markimage Limited



Notes:

- 0/ drawing uses 3/4" (19.1mm) material. 18-20mm OK. Quality multi-ply recommended
- 1/ stuff with 1.56 lbs / ft³ (25 ounces = 709 g) of polyfill
- 2/cleats on back to allow for removable back, useful for adjusting the stuffing
- 3/ bracing is optional. For bracing ideas please see the bracing sheet in the superPensil12 plans