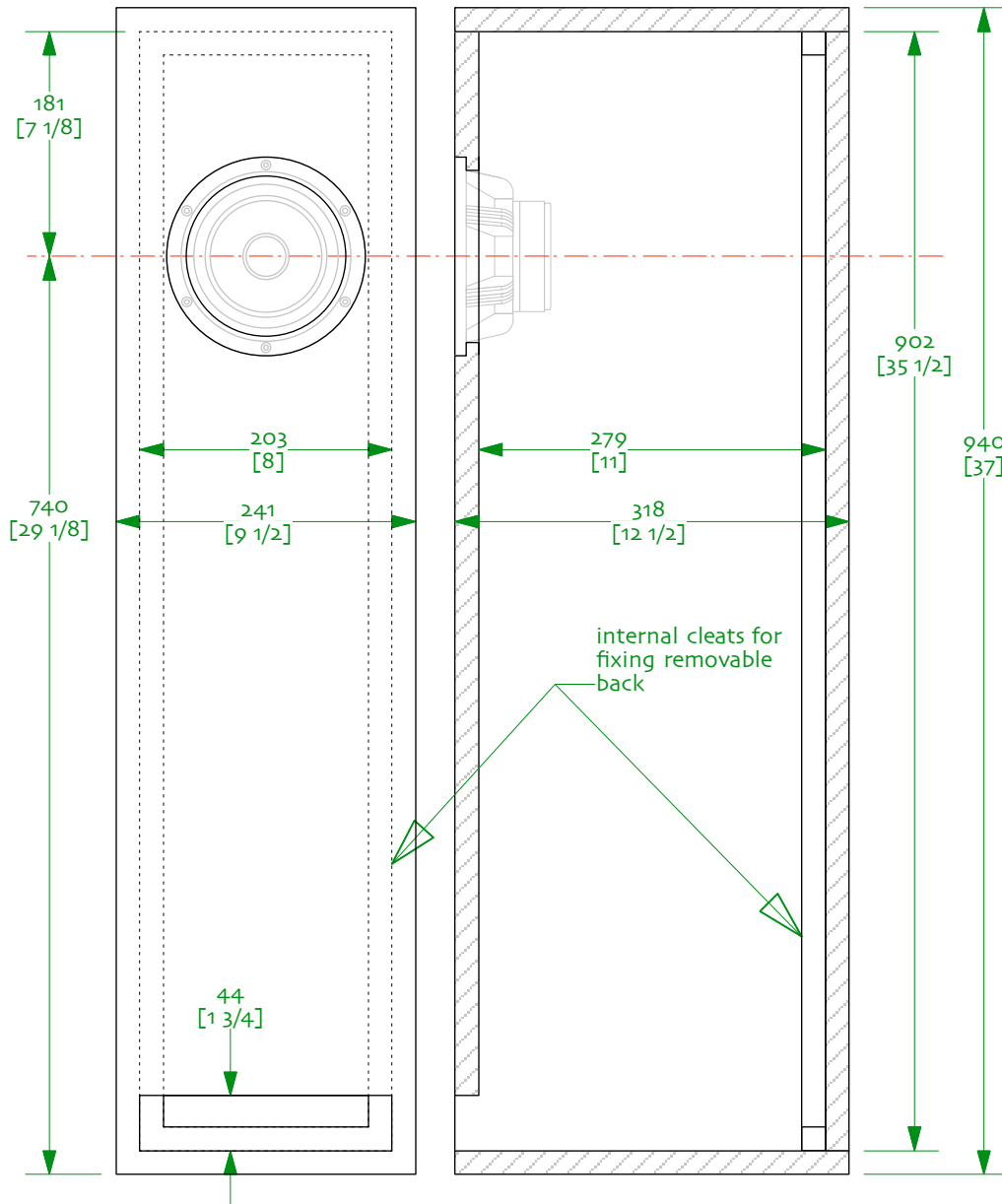




# Pensil 10p | Alpair 10p

designed by S Lindgren drawn by dld  
14june-2013  
©2010-2013 Markaudio All rights reserved  
NOT for commercial use without prior  
written approval from Markimage Limited



- Notes:
- 0/ drawing uses 3/4" (19.1mm) material. 18-20mm OK. Quality multi-ply recommended
  - 1/ stuff with 1.35 lbs / ft<sup>3</sup> (22 ounces = 614 g) of polyfill
  - 2/cleats on back to allow for removable back, useful for adjusting the stuffing
  - 3/ bracing is optional. For bracing ideas please see the bracing sheet in the superPensil12 plans