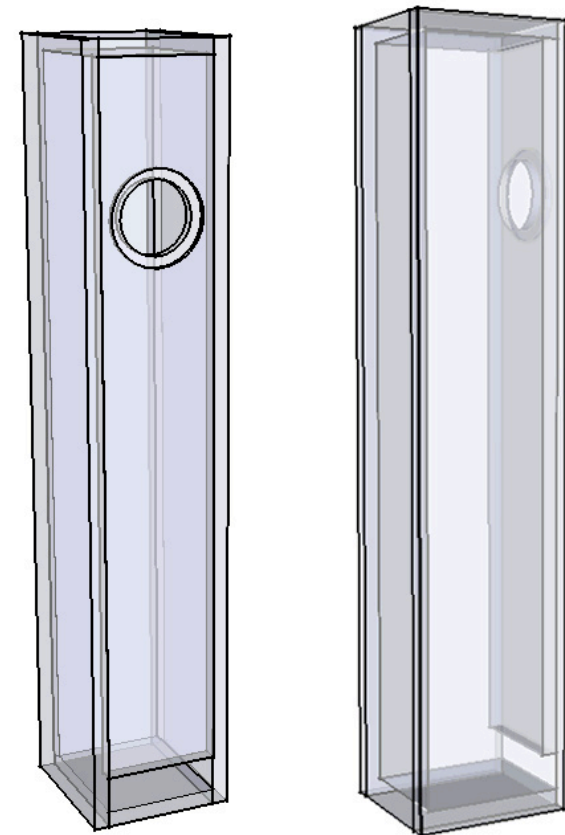
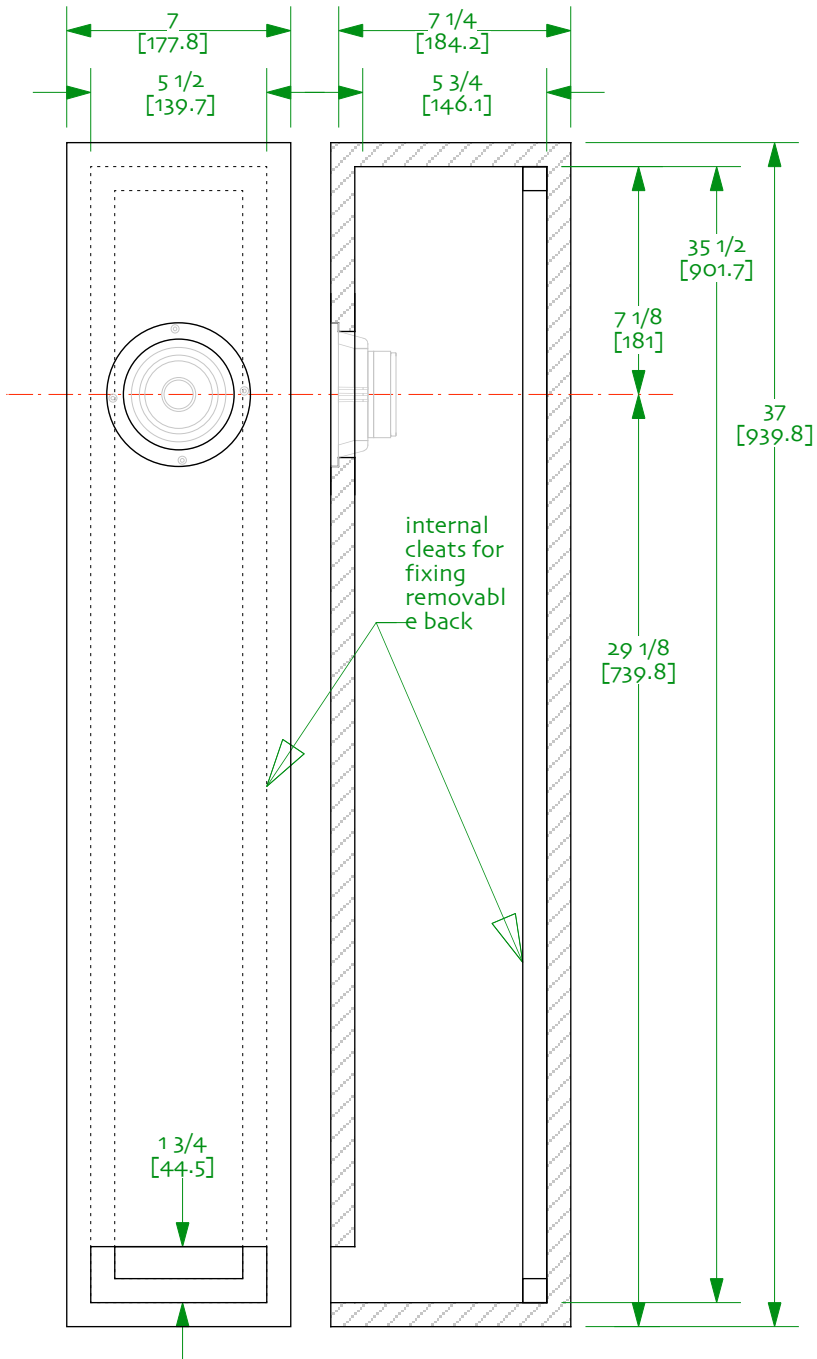




Alpair 6 Pensil 6

designed by S Lindgren drawn by dld
 13-july-2010
 ©2010 Markaudio All rights reserved
 NOT for commercial use without prior
 written approval from Markimage Limited



Notes:
 0/ drawing uses 3/4" (19.1mm) material. 18-20mm OK. Quality multi-ply recommended
 1/ stuff with 0.75 lbs / ft³ (0.49 pounds = 0.22 kg) of polyfill
 2/cleats on back to allow for removable back, useful for adjusting the stuffing
 3/ bracing is optional. For bracing ideas please see the bracing sheet in the superPensil12 plans